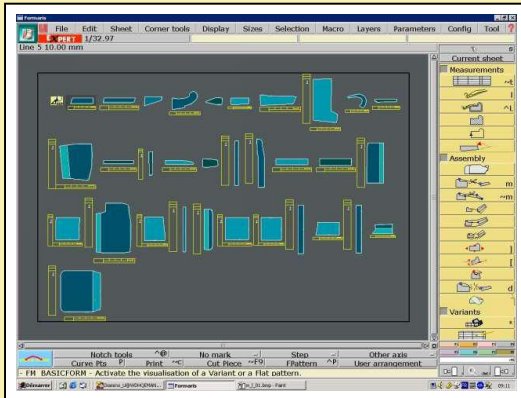




The pattern design solution dedicated to trim



As an automotive, marine and aerospace trim professional, your everyday challenges include:

- Reducing time to market,
- Increasing product quality,
- Satisfying the growing demand for mass customization,
- Improving your overall communication with collaborators.

With the new Formaris range, Lectra offers you a complete set of pattern design solutions suited to your needs. Enjoy the use of simple, user friendly pattern design software!

Reduce product development time

Significantly accelerate the industrialization stage by digitizing pattern prototyping as well as the checking, adjusting, organizing and preparing of prototypes for marker making.

Save time by industrializing and developing a complete product from a single prototype. Benefit from a highly flexible, productive tool that permits interactive model modifications thanks to dependency relations between patterns.

Increase product quality

Improve quality by boosting precision and security!

Check pattern ease by simulating the sewing operations. Use the new dynamic measurement chart to ease the creation of pattern match specifications. Quickly adapt pattern dimensions to several fabric properties. Define quality zones for leather template processing for the automated cutting process.

Improve internal and external communication

Organize your numerous patterns by variant and ensure yourself of permanent pattern consistencies with Formaris Expert's associative technology.

Communicate and share data with multiple collaborators!

Benefit from the wide interoperability capabilities of Formaris to easily exchange patterns with any CAD system on the market, and print your models on any HPGL plotter.

Enjoy a customizable and user-friendly application

Access an intuitive, customizable user-interface! With Formaris you can choose your language and work with short cuts and macros while accessing information saved with patterns, such as measurements, etc.

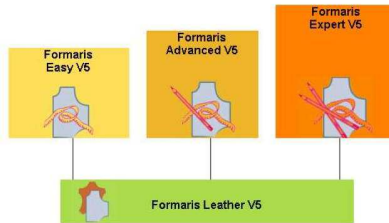


FormarisV5



Automotive

Offering: modules and options



Formaris V5 range

▣ A complete offering in line with your needs

The Formaris range was created to perfectly match your requirements according to the specific type of activities you need to perform, your level of expertise and your productivity challenges.



Formaris Easy V5

▣ Pattern preparation for marker making

Formaris Easy helps you achieve all your fundamental pattern development tasks:

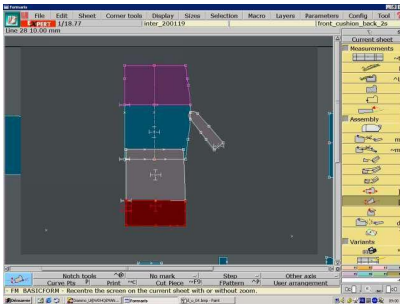
- Use dedicated tools to digitize prototype patterns or templates, organize patterns per model and create bills of materials.
- Work on half-patterns with an interactive symmetry tool.
- Use wide checking functionalities, e.g., stack various patterns and ensure grain line accuracy, use pattern assembly and do adjustments (construction points, dimensions, notches, seam allowances, corners, gathers, etc.).
- Measure pattern lengths, perimeters and areas for quality control. Create dynamic measurement charts to obtain up-to-date pattern dimensions and to export data for costing.
- Define all manufacturing information for nesting software and automated cutting machines such as motif matching rules, leather quality areas (optional module), cutting strategy, etc.
- Print at a 1:1 scale or forward virtual industrialized patterns to production departments.
- Customize your work environment to make it reflect the options you use most frequently.



FormarisV5



Automotive



Formaris Advanced V5

Pattern industrialization and product range development

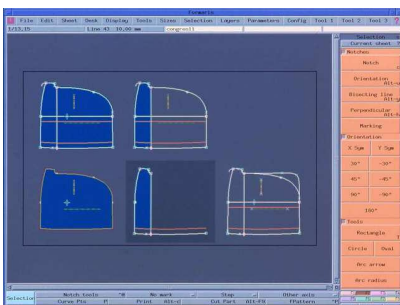
Formaris Advanced V5 includes all Formaris Easy V5 features plus advanced creation tools to develop a product range directly on screen:

- Use pattern marriage and walking functions to simulate the sewing operation and control ease of use.

- Use the “flat pattern” method to extrapolate dacron patterns and new models using construction lines.
- Adapt pattern shapes to fabric elasticity by stretching operations.

- Access mass-customization options and prepare patterns for specific alterations.

- Facilitate your work methods and share them with pattern designers by recording the most frequently used sequences as macros.



Formaris Expert V5

Boost productivity for product range development

Formaris Expert V5 is built on a unique and efficient associative technology which guarantees important time savings in the development of product ranges.

In addition to the Formaris Advanced V5 features, Formaris Expert V5 comprises:

- A unique, powerful pattern dependency that guarantees full up-to-date patterns at any moment in the development process.

- Since pattern design and alterations are interactive, dependent patterns are adjusted automatically whenever you modify a pattern.

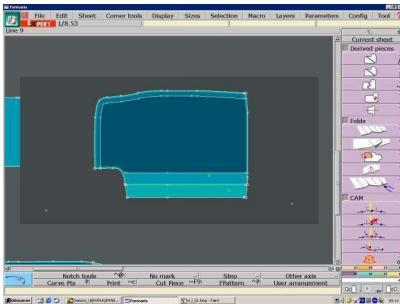
With Formaris Expert V5's state-of-the art concept, you avoid all tedious additional checking tasks while ensuring perfect product quality and dedicating more time to creativity.



FormarisV5



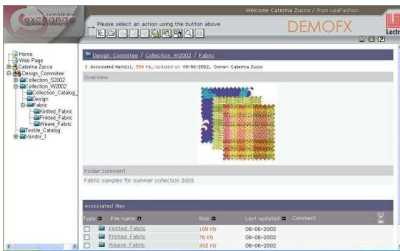
Automotive



Formaris Leather V5

Optimize leather consumption

Formaris Leather V5, an add-on module for all the above-mentioned packs, is specially designed for processing leather and enables the definition of quality zones for each pattern.



LectraOnlineExchange

Communicate with your internal and external collaborators

You can access the LectraOnline Internet communication tools directly from Formaris Furniture.

Subscribed users have access to a special area where they can find all their online LectraOnline applications.

Using LectraOnline Exchange's secure global communications via the Internet, you can communicate with LectraOnline members of your choice and easily send patterns to your partners anywhere in the world.

In addition, LectraOnline Expertise gives you access to advice from the best Formaris specialists through the Internet.

Technical specifications

Hardware and software configuration for each product
Processor Intel® Pentium® (III 800MHz; IV 2GHz)
Microsoft® Windows 2000 (Service Pack 3 and Service Pack 4)
Windows XP® (Service Pack 1)
256 Mo de RAM minimum.

Configuration	Optimum	Minimum
Processor	Pentium IV 2 GHz	Pentium III 800 MHz
RAM	512 MB	256 MB



FormarisV5



Automotive

Service offering



Software Evolution

Software Evolution is a subscription service that gives you access to the latest versions of Lectra software, allowing you to continually improve technical performance and to optimize your design environment with each technological innovation. Software Evolution secures your investment over the long term. This service allows you to enjoy state-of-the-art technology while achieving substantial savings.



Remote Expertise

Remote Expertise offers global access to our experts and technical specialists at Lectra's International Call centers in Atlanta, USA (for North America); Bordeaux, France (for Europe); Madrid, Spain; Milan, Italy; and Shanghai, China (for Asia). Your CAD/CAM software and hardware can be accessed remotely by Lectra teams to provide real-time IT support for software problems, production needs and workflow processes. In addition, you can instantly download files or software patches to correct minor problems.



Training

Lectra's training ensures rapid integration and optimal use of your software or your Lectra CAD-CAM equipment. With more than 120 instructors, this training can be provided on-site with customized programs or at Lectra's training centers throughout the world. Select the training modules best suited to your needs and combine them to make a customized training program.

Call Centers

North America: +1 877 453 2872

Asia Pacific: +8621 6121 2211

Europe: +00 800 00 53 2872

Italy: +800 532 872

Spain: +34 900 800 501